

salva



kwik-co KX-9+H+KXS-10

Kwik-co is a electrical oven with advanced design of straight lines and last generation materials, it opens a new oven concept, witch is ideal for shops, big surfaces, café shops and to cook facing the public.

STRUCTURE

- **Motorised vent damper**
In all versions. It do away with the need for manual operator action halfway through cooking.
- **Fan**
Is the core of the oven. It's auto-reverse rotation every two minutes guarantees even cooking.
- **Side air tanks**
Designed for an even distribution of airflow throughtout the chamber to ensure excellent product cooking.
- **PREMIUM control panel**
It consists of 100 programs, shot power, additional information on cooking and access to SALVALINK.
- **Rapid recovery steam producer**

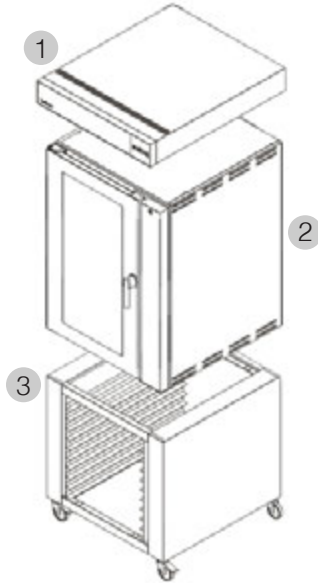
PRODUCT NEWS

- **ECO energy design**
Full load resistance is active only the 55% of the cooking time.
- **Stainless steel casing**
Guarantees the aesthetic balance of the tempered glass with usage requirements, protecting it as a sort of bumper.
- **Robust and reliable handle**
Marking all the personality of SALVA.
- **COOL-TOUCH door**
Double-glazed door with easy-open system for cleaning. Cool external glass due to a system of thermal insulation and "Low-E" low emissivity windows.
- **Hinged air tanks**
Guarantees a easy access to the cooking chamber for cleaning.

OVEN COMPOSITION AND DETAILS

1 Hood KXC
 Beauty hood.
 Connectable to the system of aspiration of the place.
 Height: 6.3" (160 mm)

3 Support KXS-10
 It places the oven to a height adapted to work.
 Capacity: 10 trays.
 Legs height: 27.7" (703 mm)
 Wheels height: 4" (100 mm)
 The front wheels have built-in brake.



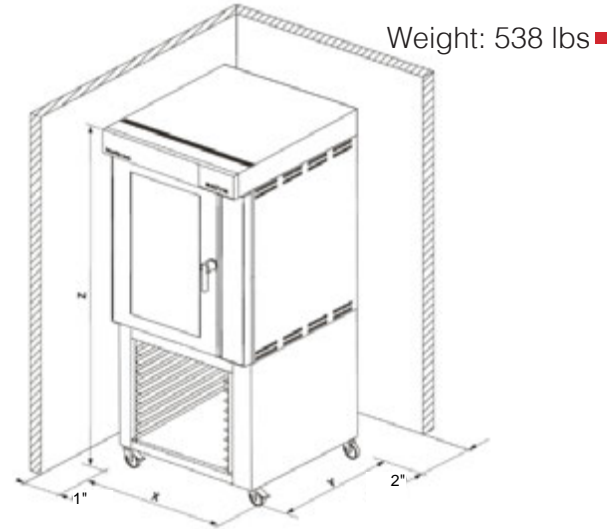
2 KX-9+H oven
 Height: 42"
 Capacity: 9 trays (60 x 40 cm)
 o 9 trays (26" x 18").

kW	V	A	Hz	BOCPD
14.2	208-240 3PH	37.6	50/60	60

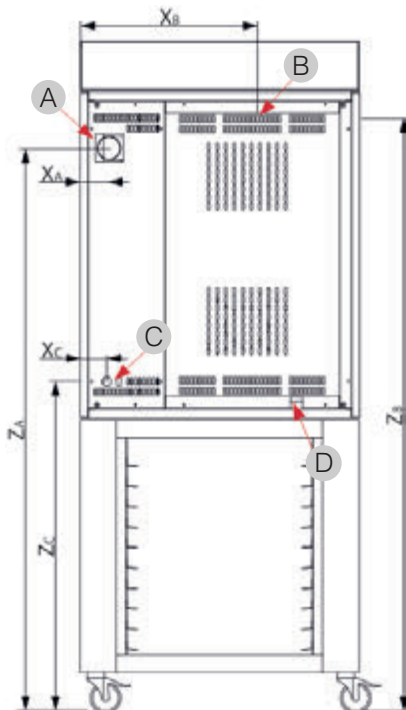
INSTALLATIONS IN DETAIL

- A Baking chamber fumes chimney**
 It is recommendable to use a standard independent in-sulated damper of 3.15" (80 mm) inside diameter.
- B Water supply**
 Outlet water pressure have to be lower than 0.5 bar.
 3/4" (19.05 mm) female connector.
 Connection to the oven by 3 ft. (1m) long flexible hose.
- C Electric power supply**
 The electrical connection should be performed by authorized professionals, following the rules in force in each country.
- D Drainage**
 Rubber tube drain.
 Connection to the oven by 1.18" (30mm) internal diameter flexible hose.

GENERAL DIMENSIONS



X	Y	Z
36 inch	43.2 inch	76.1 inch



Facilities location (in.)

	X	Y	Z
A Baking chamber fumes chimney	4	-	64.4
B Water supply	22	-	65.9
C Electric power supply	8.25	-	30.8
D Drainage	33.5	-	29.6